

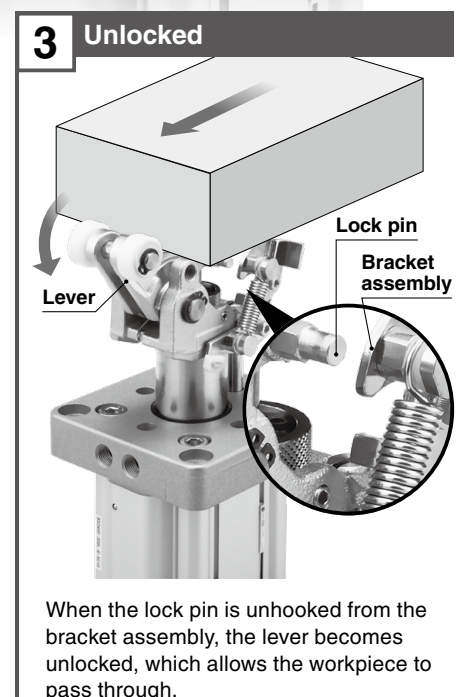
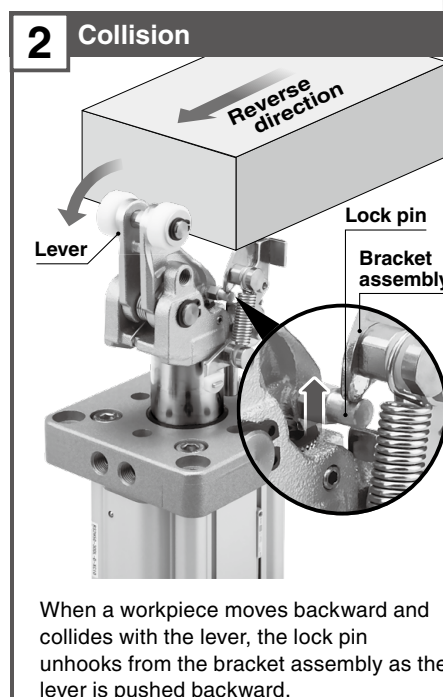
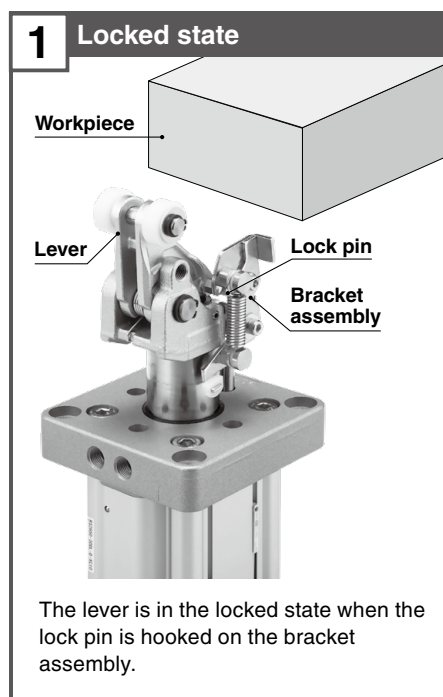
Heavy Duty Stopper Cylinder/ Lock Release Specification

RoHS

ø50, ø63, ø80

Prevents lever damage when a transferred workpiece moves backward

Prevents damage by releasing the locked lever when a pallet suddenly moves backward and collides with the lever



■ A part number for the built-in shock absorber with a scraper (option) is available.

A scraper is mounted on the piston rod of the shock absorber. This can reduce the entry of dust, foreign matter, and coolant.

Example)

RS2H50-30DL-D Y -M9BW-XC102

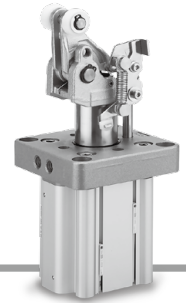
● Built-in Shock Absorber with Scraper

RS2H-XC102



19-E730

RS2H-XC102



How to Order

RS2H **50** **□** **□** - **30** **D** **L** - **D** **□** **□** **□** - **M9BW** **□** - **XC102**

① ② ③ ④ ⑤ ⑥ ⑦ ⑧ ⑨ ⑩ ⑪

With lock mechanism Lock release specification

① Bore size

50	50 mm
63	63 mm
80	80 mm

② Port thread type

Nil	Rc
TN	NPT
TF	G

③ Piping direction

Nil	Flange side	
	Axial direction (tube)	
A		

④ Cylinder stroke

30	30 mm (ø50, ø63)
40	40 mm (ø80)

⑥ Roller material

L	Resin
M	Carbon steel

⑤ Action

D	Double acting
B	Double acting spring type
T	Single acting/spring extend

⑦ Option*1

Nil	Without option
C	With cancel cap
S	With lever detection switch*2

*1 Options can be combined. Indicate the option symbols in the order of "C" then "S."

*2 For details on the lever detection switch, refer to the standard model.

⑧ Positional relationship of the lever and port

Nil		Q	
	P		

⑨ Shock absorber

Nil	Standard
Y	Shock absorber with scraper

⑩ Auto switch

Nil	Without auto switch (Built-in magnet)
-----	---------------------------------------

* The applicable auto switches are the same as those for the standard model.

* Auto switches are shipped together with the product but do not come assembled.

⑪ Number of auto switches (Number of auto switches mounted)

Nil	2
S	1

Replacement Parts/Shock Absorber

Bore size [mm]	Order no.	
	Standard	With scraper
50	RS2H-R50	RS2H-R50-X2666
63	RS2H-R63	RS2H-R63-X2666
80	RS2H-R80	RS2H-R80-X2666

* The shock absorber can be replaced individually. Mounting of the built-in shock absorber with a scraper is interchangeable with the standard shock absorber (RS2H-R□).

■ Specifications and dimensions: Same as those of the standard model

⚠ Safety Instructions Be sure to read the "Handling Precautions for SMC Products" (M-E03-3) and "Operation Manual" before use.